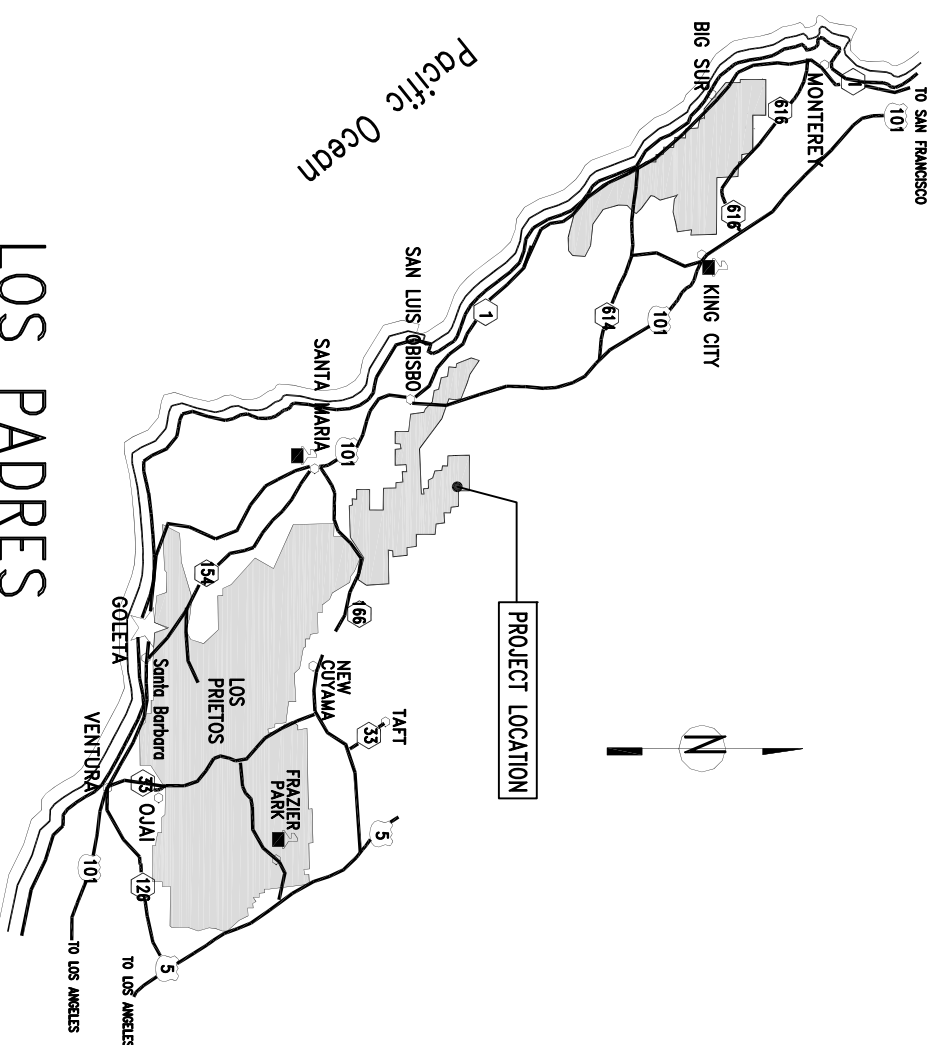
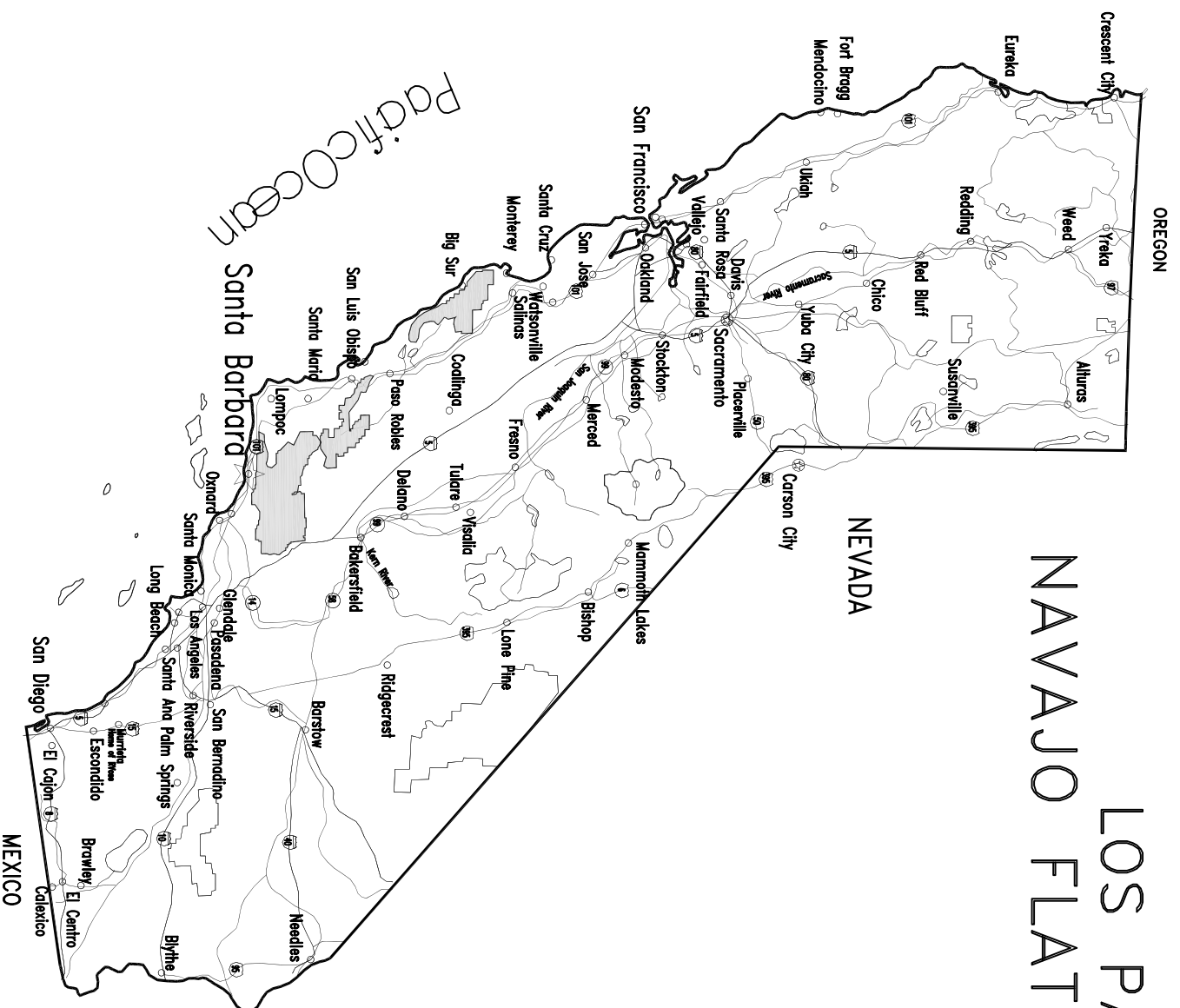


UNITED STATES DEPARTMENT OF AGRICULTURE  
 FOREST SERVICE  
 REGION FIVE  
 LOS PADRES NATIONAL FOREST  
 NAVAJO FLAT CAMPGROUND IMPROVEMENTS



LOS PADRES  
*National Forest*

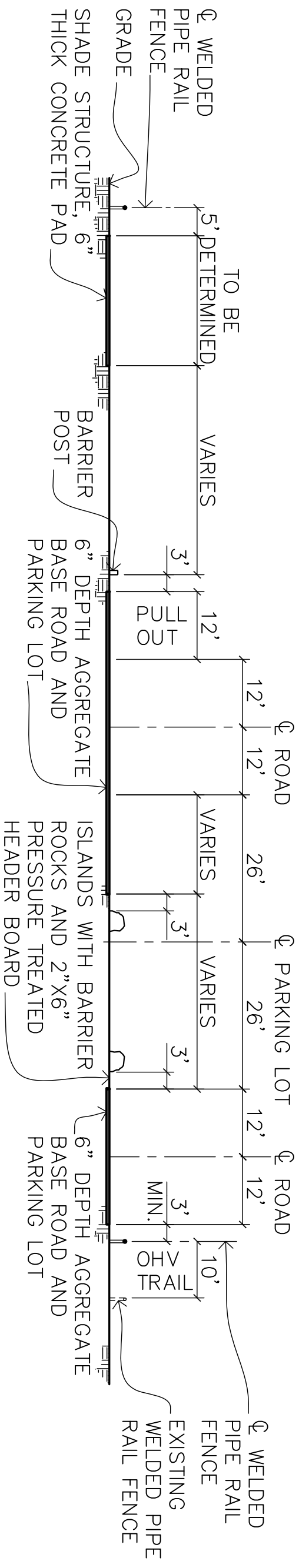
State of California

LOS PADRES NATIONAL FOREST  
 US Department of Agriculture— Forest Service

INDEX TO SHEETS	
SHEET	DESCRIPTION
1	TITLE
2	SITE PLAN AND SECTION
3	ENTRY GATE PLAN & ENTRY SIGN DETAIL
4	GATE DETAILS
5	CONSTRUCTION DETAILS

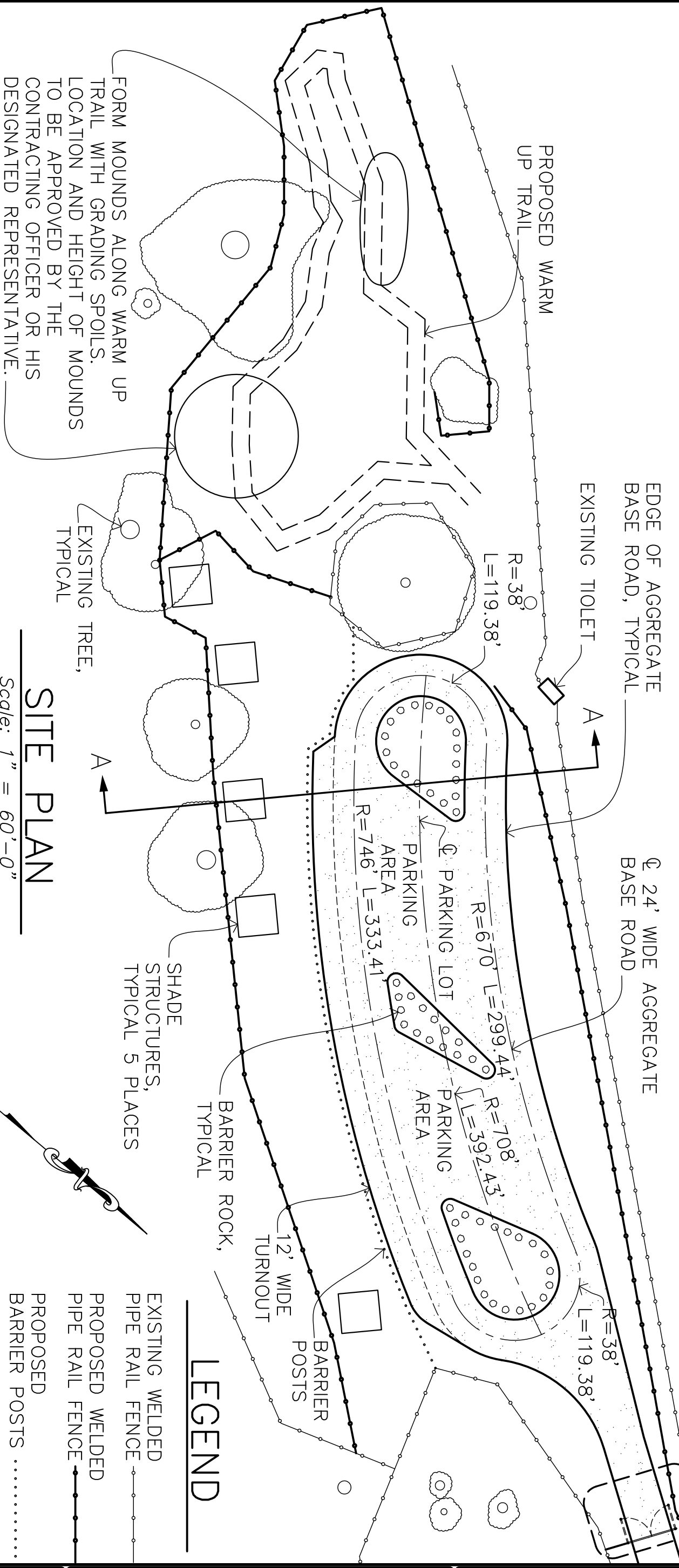
Recommend	
Forest Supervisor	
District Ranger	
Rec Staff Officer	
Forest Engineer	
Eng Staff Officer	
Fire Mgmt Officer	

Drawn by _____	Checked by _____	Rim No. _____
Designed by _____	Reviewed _____	Sheet No. 1 of 5



**SECTION A-A**  
NOT TO SCALE

SEE ENTRY GATE PLAN  
SHEET 3

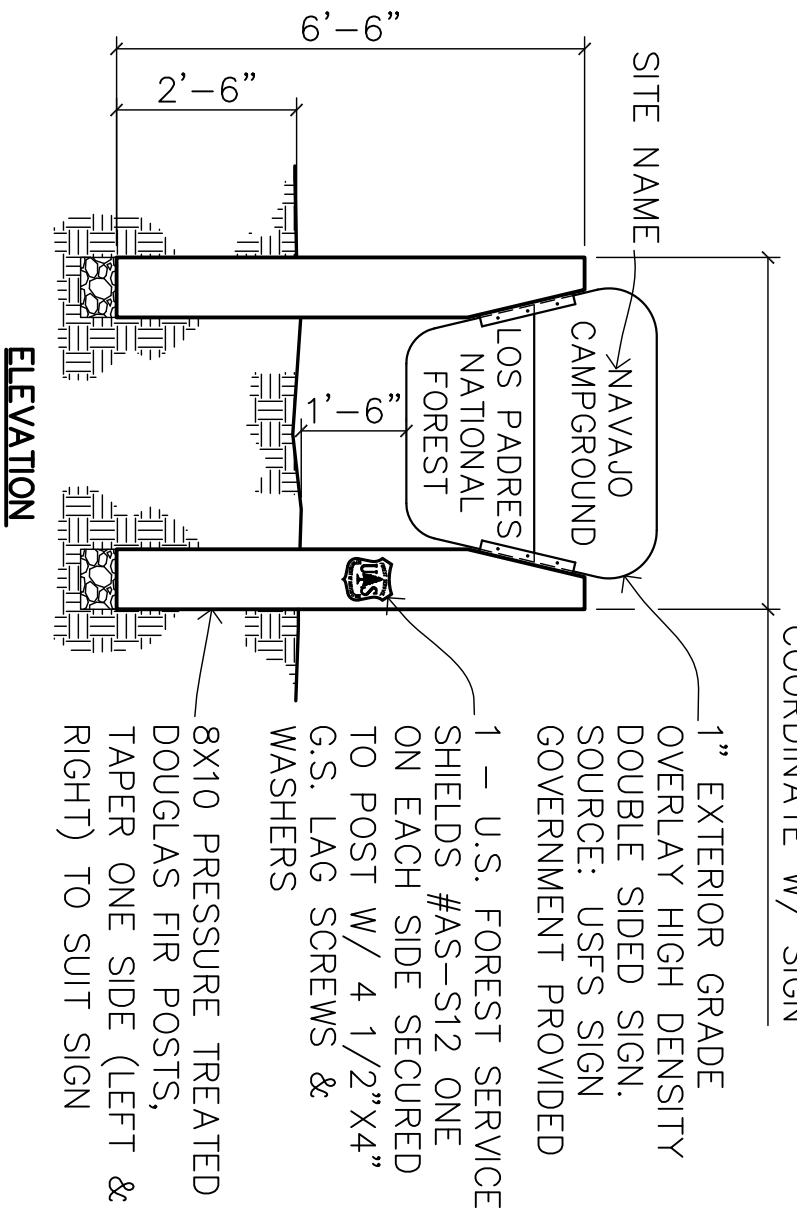
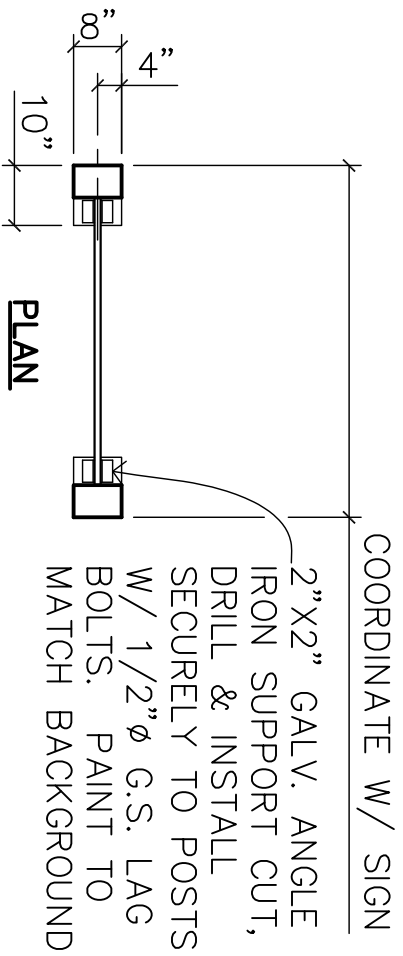


**LEGEND**

- EXISTING WELDED PIPE RAIL FENCE
- PROPOSED WELDED PIPE RAIL FENCE
- PROPOSED BARRIER POSTS

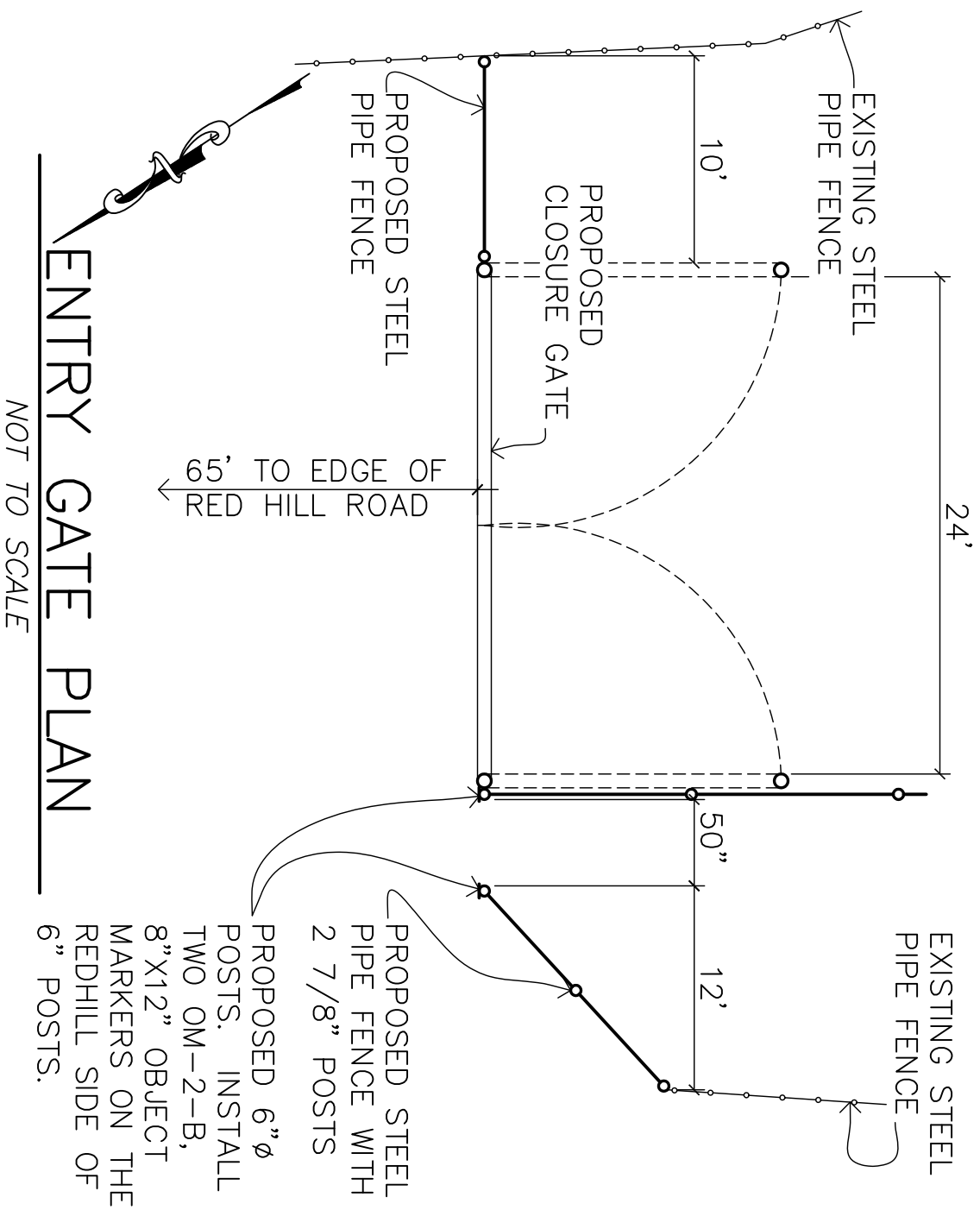
**NOTES:**

1. The sign and shields will be provided by the Government. The contractor shall provide and install the mount with all applicable hardware and install the Government supplied sign.
2. Entry sign locations will be staked in the field by the contracting officer.
3. Paint sign mount with 1 coat primer & 2 coats exterior latex paint, Benjamin Moore ready-mixed exterior latex paint color Tudor brown or approved equal. Apply primer and paint per manufacturers specifications.



**ENTRY SIGN**

NOT TO SCALE



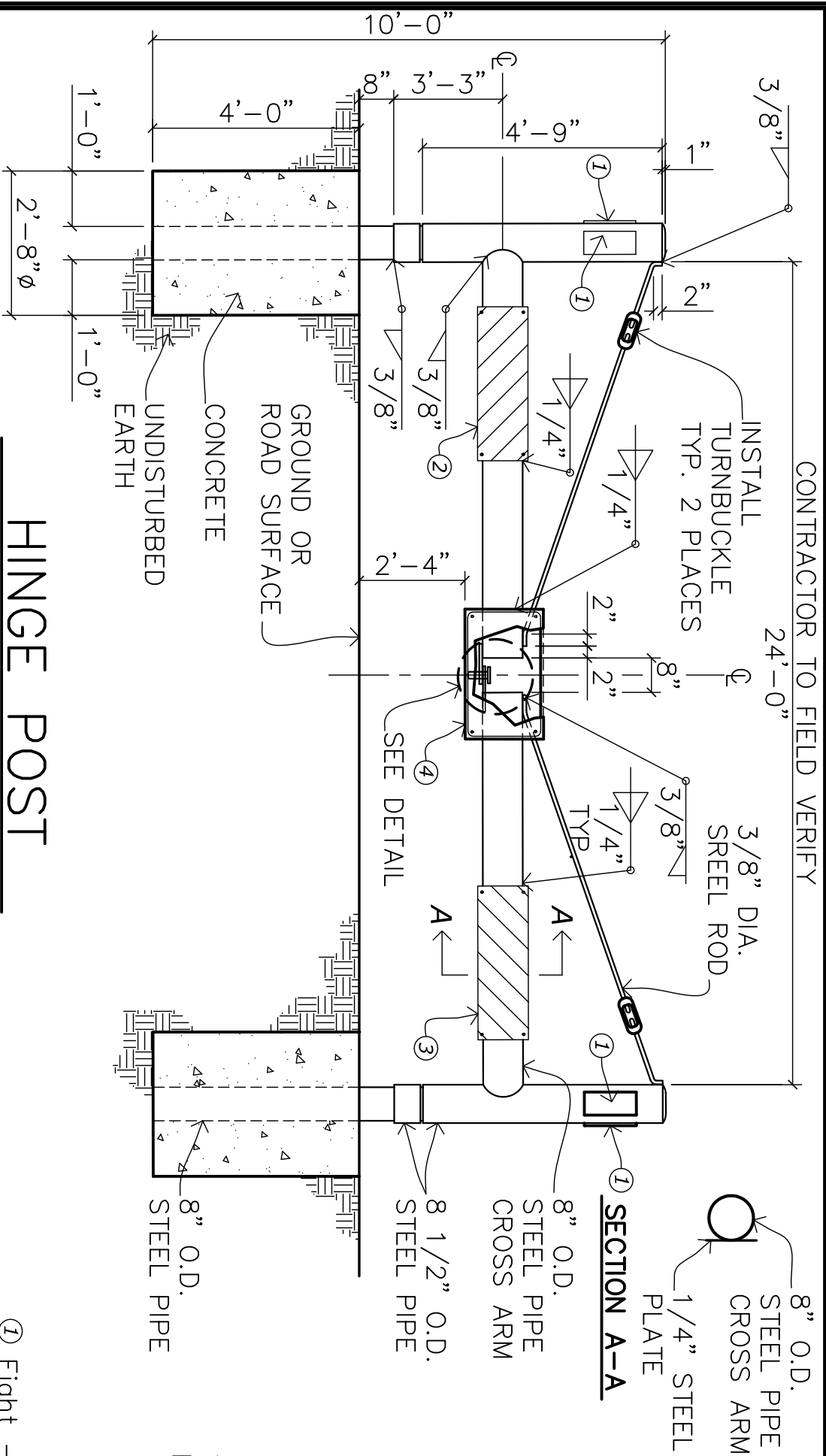
PROJECT No.	NAVAJO FLAT
DRAWING	CAMPGROUND IMPROVEMENTS
SHEET	ENTRY GATE PLAN & ENTRY SIGN DETAIL
3 of 5	

DESIGN	BY:	BY:	DATE
DRAWING	CHECK:	Z. Hilliard	
APPROVED:	CHECK:		
DIRECTOR, ENGINEERING			

U.S. FOREST SERVICE	U. S. Department of Agriculture
U.S. FOREST SERVICE	FOREST SERVICE
U.S. FOREST SERVICE	Region 5
U.S. FOREST SERVICE	LOS PADRES NATIONAL FOREST



U. S. Department of Agriculture  
FOREST SERVICE  
Region 5  
LOS PADRES NATIONAL FOREST



CONTRACTOR TO FIELD VERIFY

INSTALL TURNBUCKLE TYP. 2 PLACES

3/8" DIA. S REEL ROD

8" O.D. STEEL PIPE CROSS ARM  
1/4" STEEL PLATE

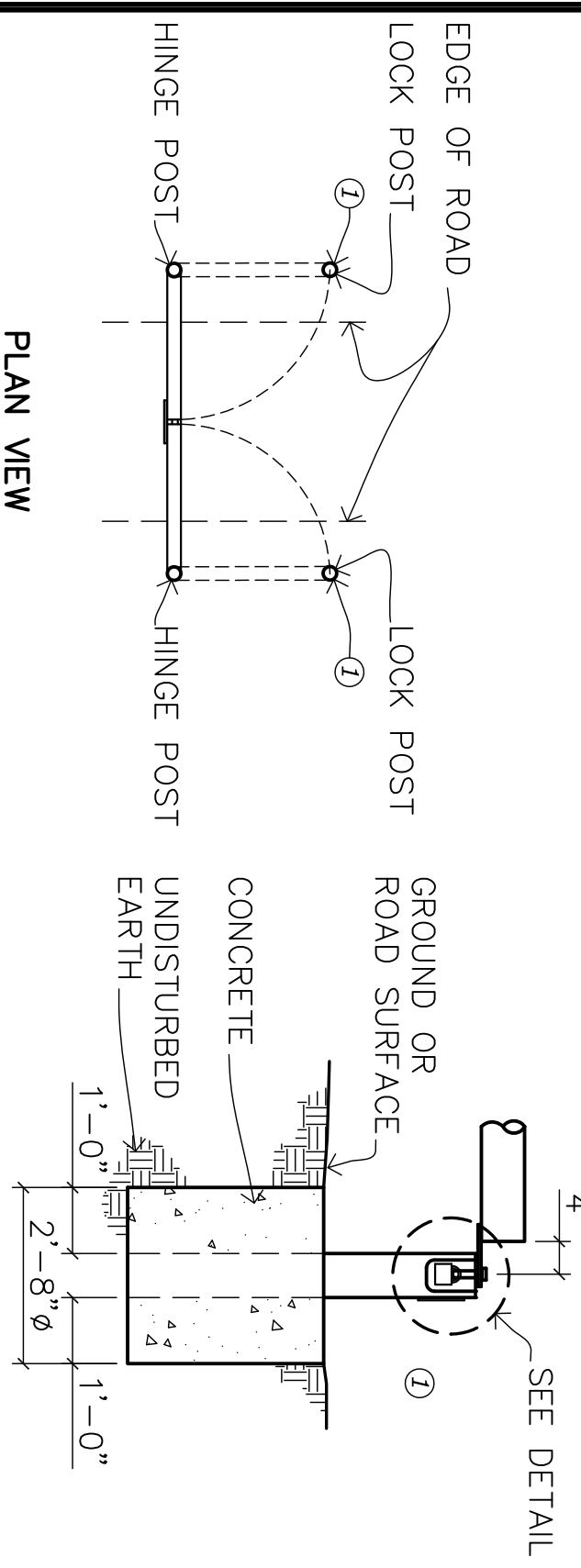
SECTION A-A

8" O.D. STEEL PIPE CROSS ARM

8 1/2" O.D. STEEL PIPE

### HINGE POST

NOT TO SCALE



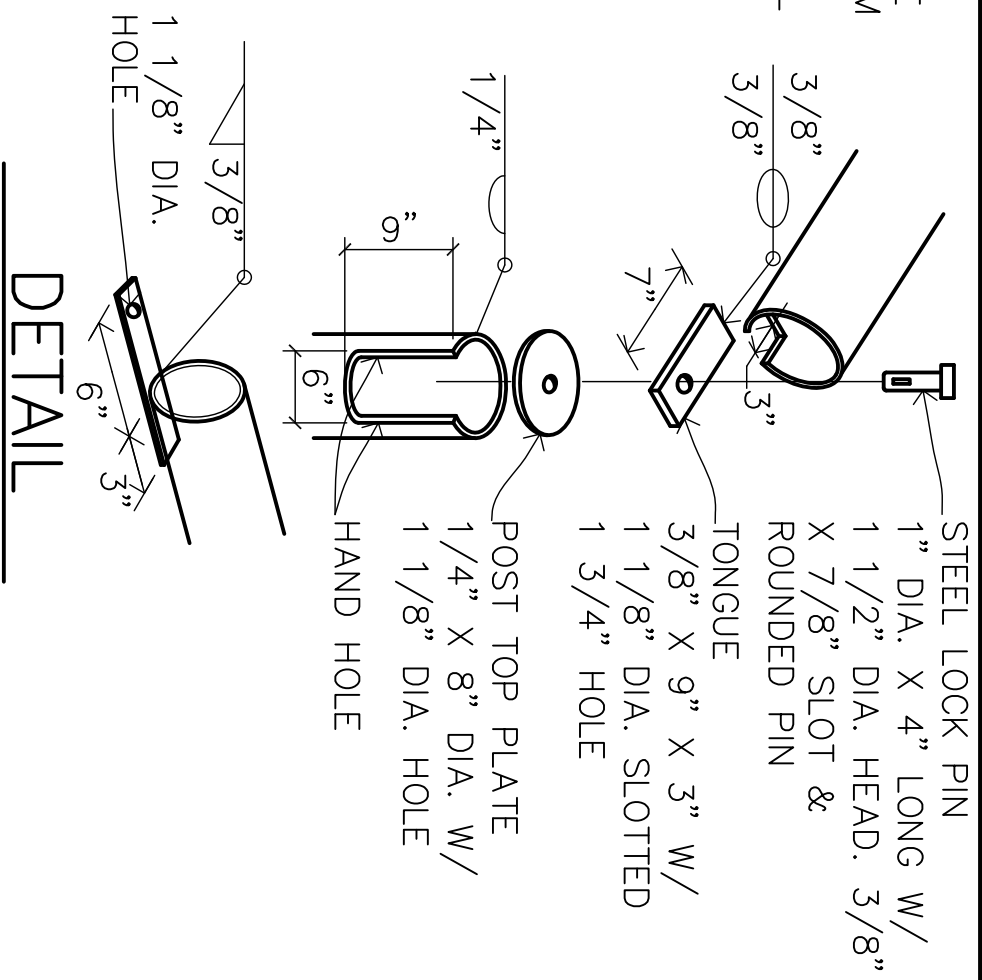
PLAN VIEW

### GATE INSTALLATION

NOT TO SCALE

### LOCK POST

NOT TO SCALE



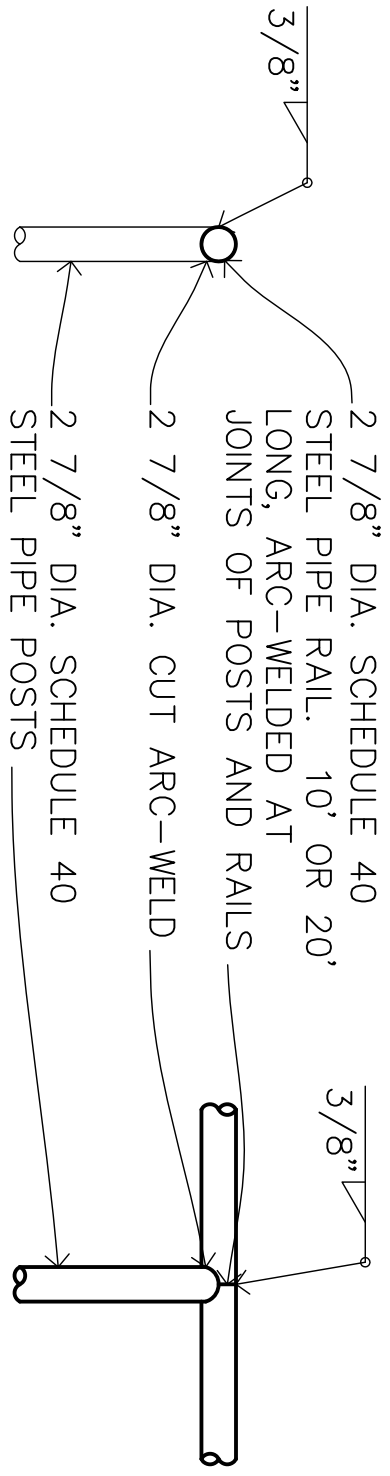
### DETAIL

NOT TO SCALE

- ① Eight - Type II (# OM-2-B) Yellow 8" x 12"
- ② Two - Type I (# BM-L-24) red/white 8" x 24" (both sides of gate)
- ③ Two - Type I (# BM-R-24) red/white 8" x 24" (both sides of gate)
- ④ One - ROAD CLOSED (# R11-2) 30" x 18". Weld steel plate to one cross arm only.

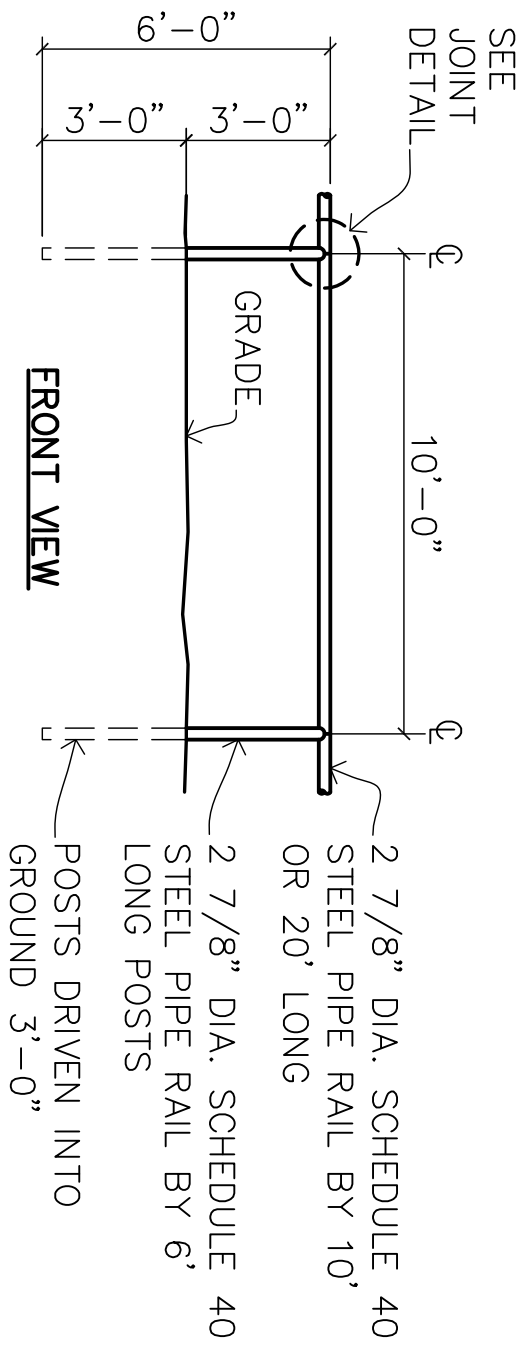
#### NOTES:

1. Signs per gate assembly.
2. Attach all signs to 1/4" steel plates with 3/8" bolts.
3. All signs shall be engineering grade, reflective sheeting on aluminum.
4. Paint: One coat of automotive primer. Two coats of cocoa brown acrylic latex. Submit paint chip and manufacturers specifications for approval.
5. Fill hinge post with concrete to top post, mound 1/4" over top.
6. Fill locking post with concrete to bottom of hand hole
7. Pour hinge post footings first, pour locking posts 2 days later.



**SIDE VIEW**

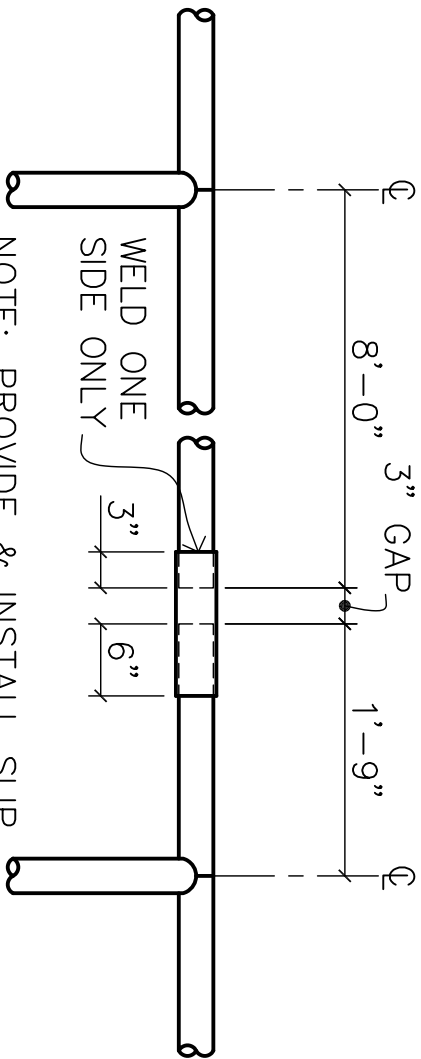
**JOINT DETAIL**



**FRONT VIEW**

**OHV FENCING**

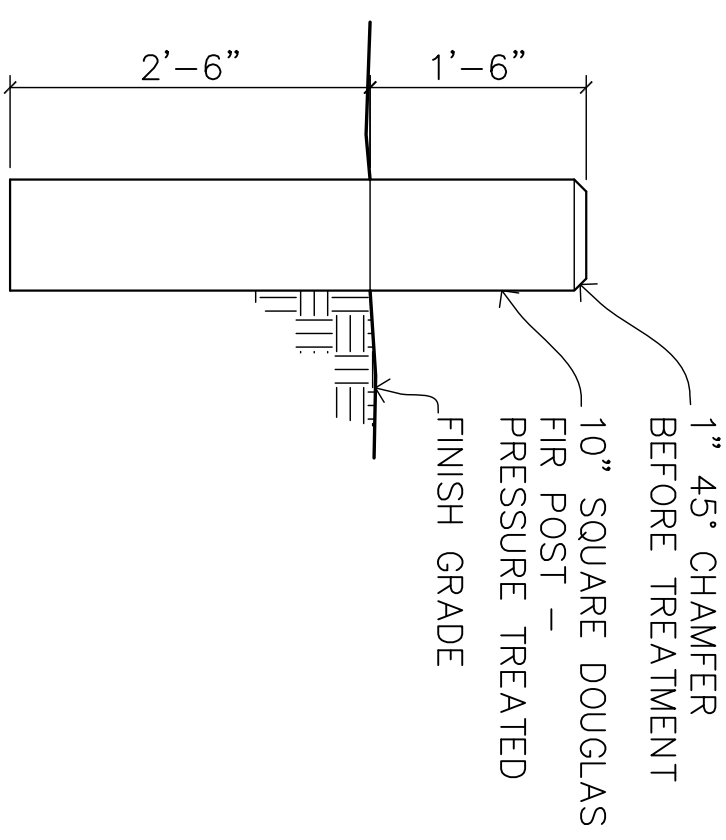
NOT TO SCALE



NOTE: PROVIDE & INSTALL SLIP JOINTS @ 75' INTERVALS WITH 12" X 3" SCHEDULE 40 PIPE SLEEVES.

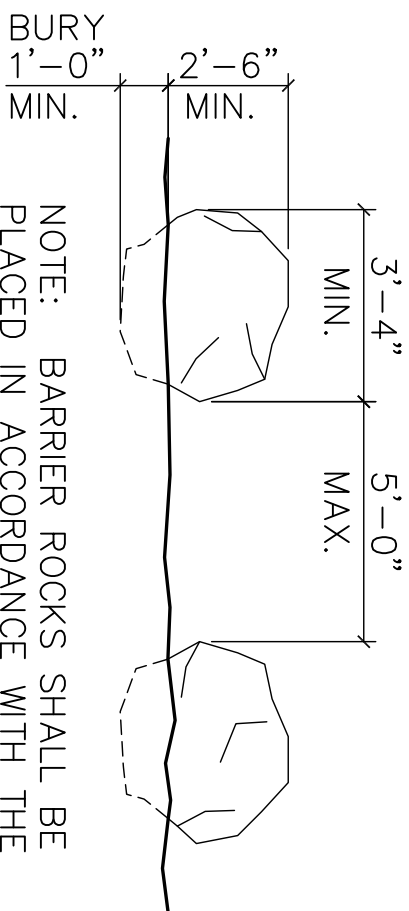
**SLIP JOINT DETAIL**

NOT TO SCALE



**BARRIER POST**

NOT TO SCALE



NOTE: BARRIER ROCKS SHALL BE PLACED IN ACCORDANCE WITH THE DRAWINGS AND AS DIRECTED BY THE ENGINEER.

**TYPICAL BARRIER ROCK**

NOT TO SCALE